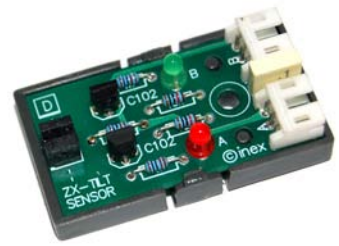


# ZX-TILT

## 4-Direction Tilt sensor



### Features :

- Sharp GP1S036HEZ Tilt sensor with built-in super compact ball for detecting tilt direction.
- Active with 2-bit logic
- 2 Status LED indicators.
- Detects 4 directions : 0, 90, 180 and 270 degree.

0° range is 330 to 360 or 0°

90° range is 60 to 90°

180° range is 150 to 180°

270° range is 240 to 270°

- Suitable supply voltage +5Vdc.

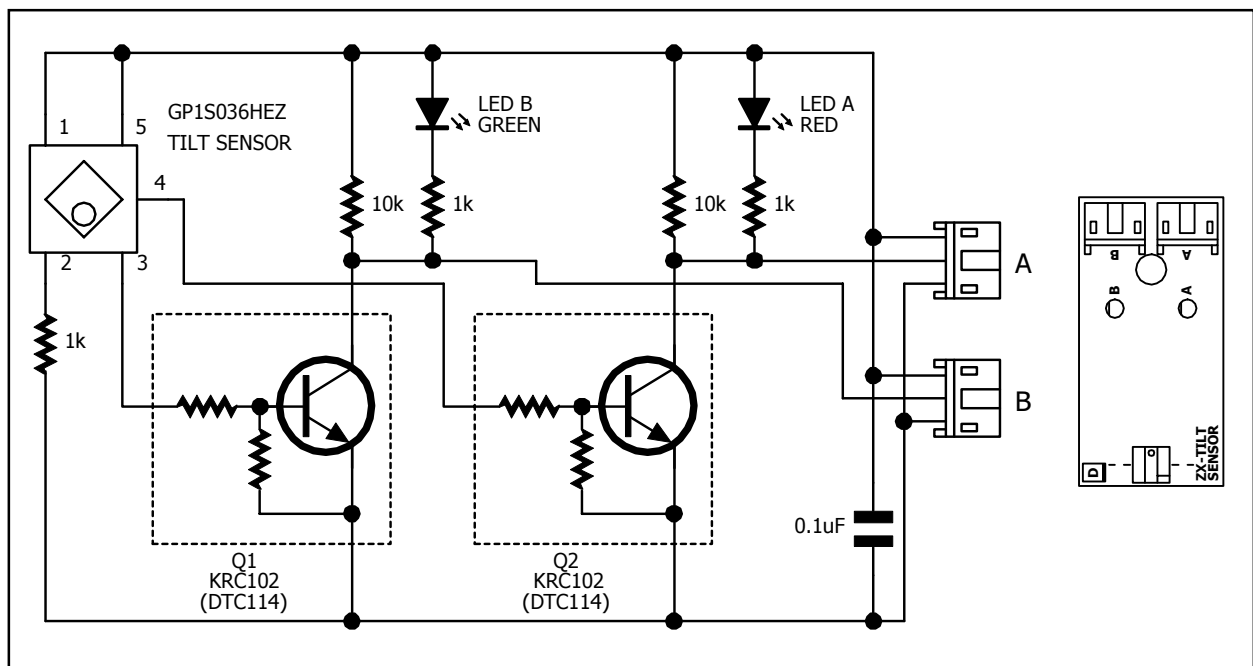
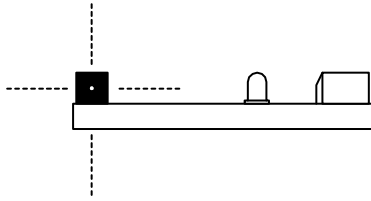


Figure 1 Schematic diagram of ZX-TILT module

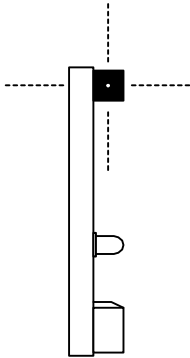
## Tilt direction detection versus Output Logic



### 0 degree Direction

A Condition is false = LED A off = OUTA "1"

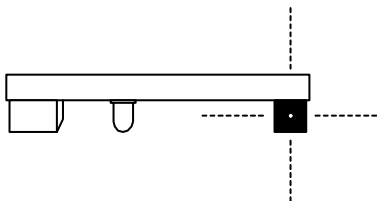
B Condition is false = LED B off = OUTB "1"



### 90 degree Direction

A Condition is true = LED A on = OUTA "0"

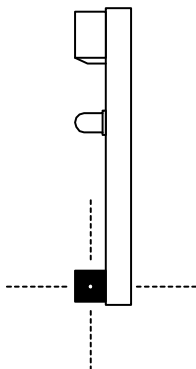
B Condition is false = LED B off = OUTB "1"



### 180 degree Direction

A Condition is true = LED A on = OUTA "0"

B Condition is true = LED B on = OUTB "0"



### 270 degree Direction

A Condition is false = LED A off = OUTA "1"

B Condition is true = LED B on = OUTB "0"

