

ZX-SPEAKER

Piezo Speaker module



Features :

- 32 Ω impedace Piezo speaker.
- Support signal in frequenty range 1kHz to 3kHz.
- The supply voltage range is +3 to +6V.
- INEX Standard 3-pin PCB connector. Confort to use with INEX boards.

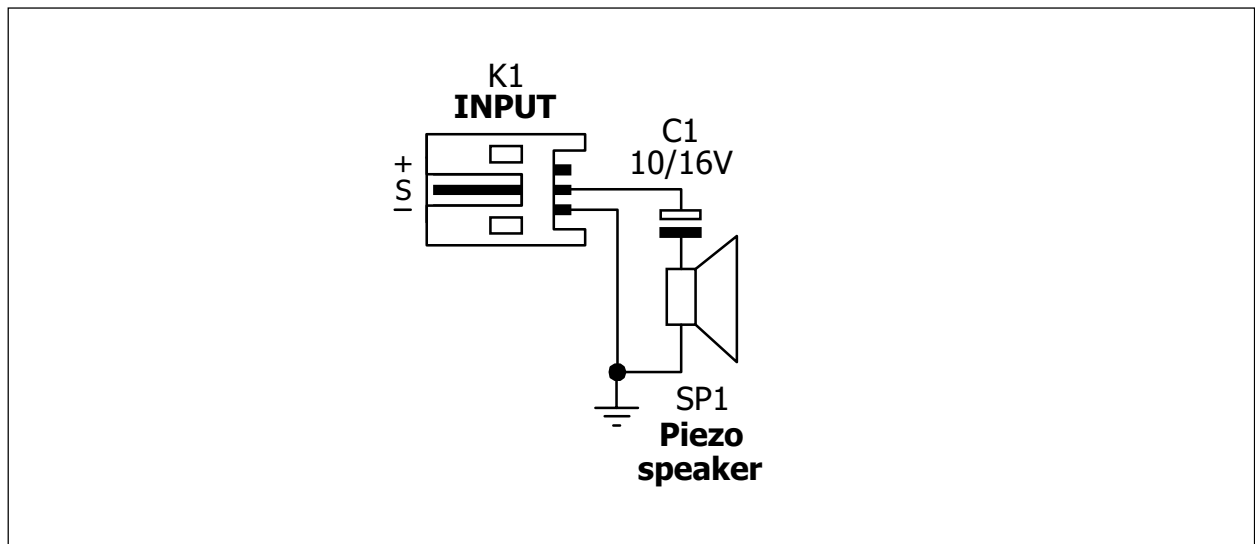


Figure 1 The ZX-SPEAKER schematic diagram

