

ZX-SOUND

Sound detector module



Features :

- Detects sound pressure with Condenser Microphone.
- Output voltage 0 to +5V varies from sound pressure level that microphone detected. If more pressure is applied, the output voltage goes high and vice versa.

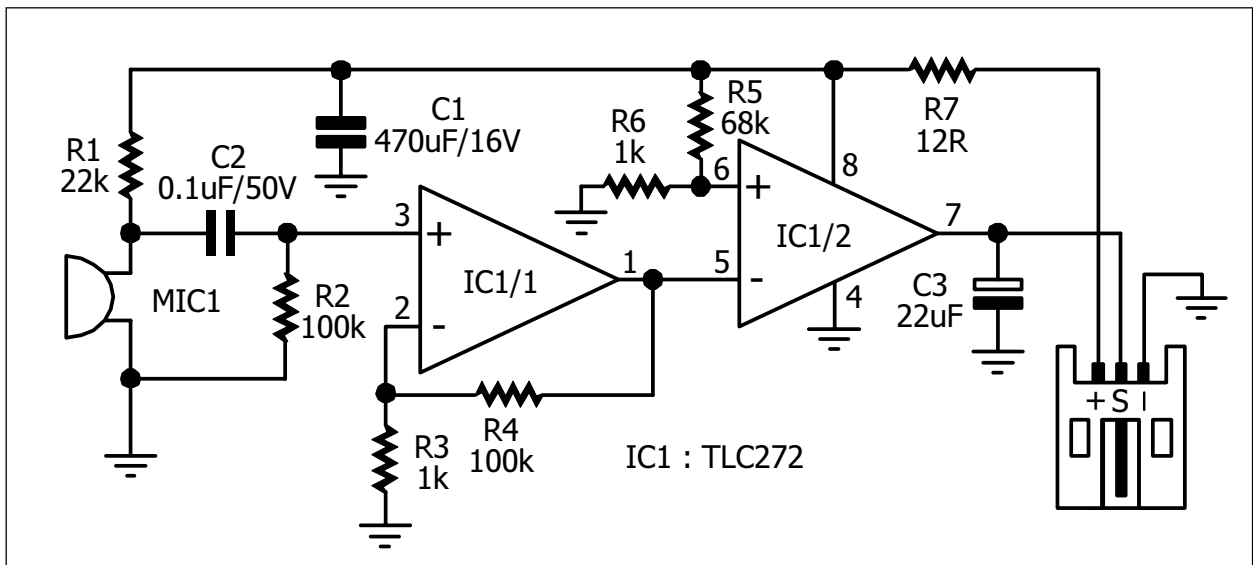


Figure 1 The ZX SOUND schematic diagram

