

ZX-SLIDE

Variable Resistor Slide module

Features :

- Use a variable resistor in Slide type.
- Output voltage 0 to +V varies from adjustment. 2-Output in Left increasing slide and Right Increasing slide.
- The supply voltage range is +3 to +6V.
- INEX Standard 3-pin PCB connector. Confort to use with INEX boards.
- Suitable for the simple analog voltage source in Analog to Digital Converter Experiment
- Apply for Length measurement in Science application.

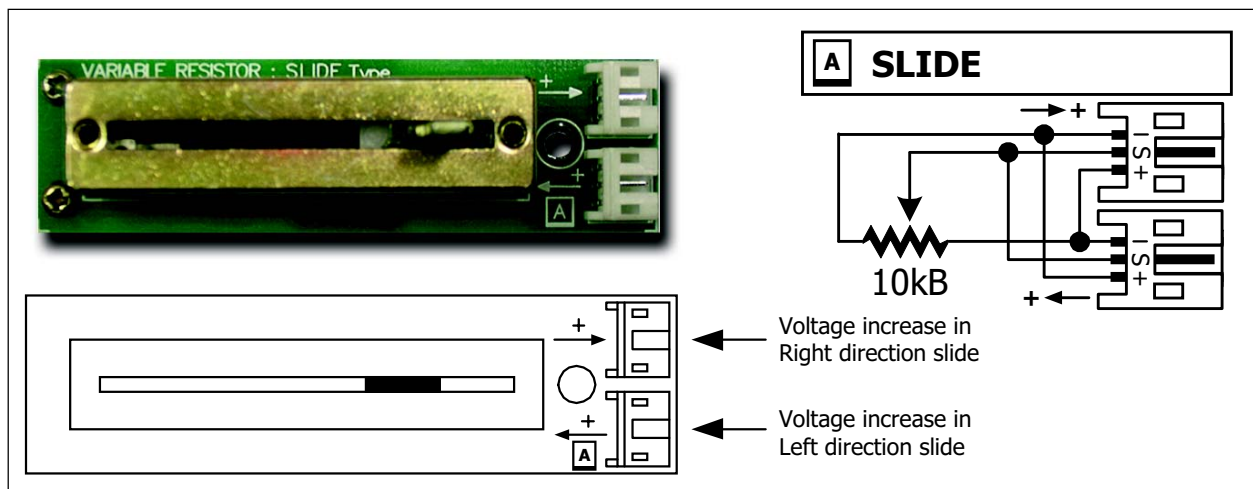


Figure 1 The ZX-SLIDE schematic diagram

